

Deep-Well Probe



measuring
•
monitoring
•
analyzing

NTB



- Measuring Range: 0..1 to 0..200 meters (0..3.28 to 0..656.2 feet) W.C.
- Linearity: $\pm 0.25\%$
- Wetted Materials: St. Steel/Polyurethane
- Reliable
- Compact
- Debris Resistant



KOBOLD companies worldwide:

ARGENTINA, AUSTRALIA, AUSTRIA, BELGIUM, BULGARIA, CANADA, CHILE, CHINA, COLOMBIA, CZECH REPUBLIC, EGYPT, FRANCE, GERMANY, HUNGARY, INDIA, INDONESIA, ITALY, MALAYSIA, MEXICO, NETHERLANDS, PERU, POLAND, REPUBLIC OF KOREA, ROMANIA, SINGAPORE, SPAIN, SWITZERLAND, TAIWAN, THAILAND, TUNISIA, TURKEY, UNITED KINGDOM, USA, VIETNAM

KOBOLD Instruments, Inc.
1801 Parkway View Drive
Pittsburgh, PA 15205
☎ Main Office:
1.800.998.1020
1.412.788.4890
✉ info@koboldusa.com
www.koboldusa.com

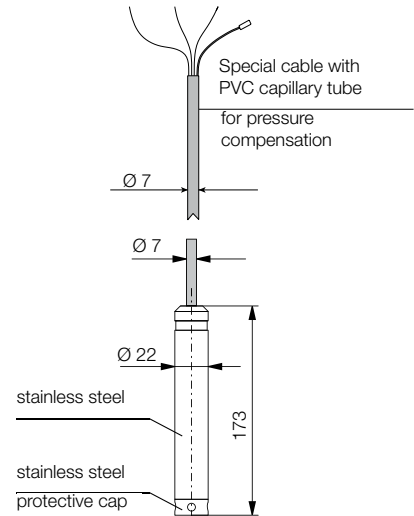
Description

The KOBOLD NTB is designed for hydrostatic level measuring in wells, reservoirs, clarification plants, and other tanks. Compact and easy to install, the NTB is well suited for protecting submersible pumps in deep wells. The probe assembly consists of a measuring cell, a two-wire transmitter, and cable with a capillary vent tube. The housing is made of stainless steel with a pressure-sensitive diaphragm protected by a stainless steel nose cone. The level is measured by the pressure difference between the amount of water column over the probe and atmospheric pressure, which is transferred to the probe through the capillary tube. The differential pressure is then converted to a 4-20 mA analog signal by the piezoresistive cell and integral electronics.

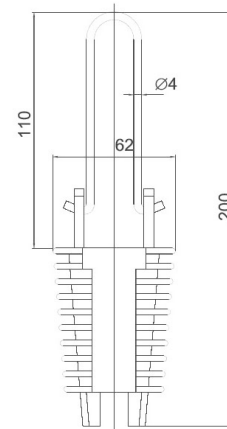
Specifications

- Measuring Range:** 0...200 m (656 ft) Water Column
- Wetted Materials:**
 - Sensing Cell:** 316L Stainless Steel
 - Probe Body:** 316L Stainless Steel
 - Cable:** Polyurethane
 - Seal:** FKM
 - Cap:** 316L Stainless Steel
- Overload Capacity:** 3 x Measuring Range
- Output Signal:** 4-20 mA, HART®, 2-wire
- Linearity:** ±0.25%
- Effects of Ambient Temp:** ±0.1% / 10 K
- Input Voltage Range:** 12-30 VDC
- Maximum Loop Load:** $R \Omega = \frac{U_t - 12 V}{0.02 A}$, U_t = Supply Voltage
- Protection:** IP68
- Operating Temperature:** 14...140 °F
- Cable Length:** Up to 300 m (985 ft)
- Cable Diameter:** Ø 7mm
- Overvoltage Protection**
 - NTB-OVP12:** Field Mounting
 - NTB-OVP32:** DIN 46277-3 Rail
- Max. Voltage (Peak Value)**
 - Slow:** 90 V pp
 - Fast:** 30 V pp
- Series Resistor:** 13 Ω ±10%
- Pulse Power:** 600 W / 1 ms
- Protection**
 - NTB-OVP12:** IP54
 - NTB-OVP32:** IP20

Dimensions (mm)



Cable Mounting Wedge Clamp



NTB in Systems with PC

Using a PC and HART® modem (e.g. model HARTCOMM), it is possible to create your own multi-drop HART® network, where the PC displays all NTB measurement data and also allows reprogramming of the units as necessary. In this way, the outputs derived from the displayed data can be programmed via the PC, which acts as the master. A maximum of 15 transmitters can be connected to one HART® modem and KOBOLD's NUS-NTB-NRM-SW software can be used for configuration.



Order Details (Example: NTB-1305 10)

Range	Model	Cable Length
1 meter (3.28 feet) W.C.	NTB-1301..	..01 = 1 meter (3.28 feet) ..10 = 10 meter (32.8 feet) ..3H = 300 meter (984.2 feet) ..YY = Custom Cable Length
2 meter (6.56 feet) W.C.	NTB-1302..	
5 meter (16.4 feet) W.C.	NTB-1305..	
10 meter (32.8 feet) W.C.	NTB-1310..	
20 meter (65.6 feet) W.C.	NTB-1320..	
50 meter (164.0 feet) W.C.	NTB-1350..	
100 meter (328.1 feet) W.C.	NTB-131H..	
200 meter (656.2 feet) W.C.	NTB-132H..	
Custom Span	NTB-13YY..	
Accessories		
NTB-OVP12	Overvoltage Protection, Field Mounting	
NTB-OVP32	Overvoltage Protection, Rail Mounting	
NTB-NAA209	Cable Mounting Wedge Clamp	
HARTCOMM	HART® Modem	

Please note that YY optioned items must have the requested values specified as notes on your order

Order Code HART® Modem: HARTCOMM

Download NUS-NTB-NRM-SW (Configuration Software at www.kobold.com)

