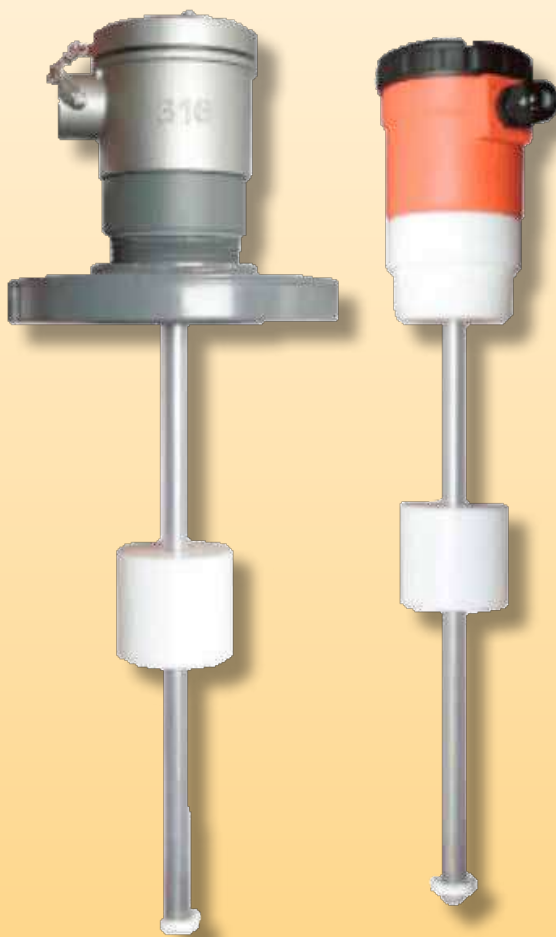


Liquid Level Transducer



measuring
•
monitoring
•
analyzing

NML-310



- All Plastic Wetted Parts
- All PTFE/PFA Parts Available
- Compatible with Aggressive Chemicals
- Continuous Level Measurement
- Analog Output via Remote Mounted Transmitter
- Compact Design
- Insensitive to Vapor and Foam
- Liquid Interface Detection



KOBOLD companies worldwide:

ARGENTINA, AUSTRALIA, AUSTRIA, BELGIUM, BULGARIA, CANADA, CHILE, CHINA, COLOMBIA, CZECH REPUBLIC, EGYPT, FRANCE, GERMANY, HUNGARY, INDIA, INDONESIA, ITALY, MALAYSIA, MEXICO, NETHERLANDS, PERU, POLAND, REPUBLIC OF KOREA, ROMANIA, SINGAPORE, SPAIN, SWITZERLAND, TAIWAN, THAILAND, TUNISIA, TURKEY, UNITED KINGDOM, USA, VIETNAM

KOBOLD Instruments, Inc.
1801 Parkway View Drive
Pittsburgh, PA 15205
☎ Main Office:
1.800.998.1020
1.412.788.4890
✉ info@koboldusa.com
www.koboldusa.com

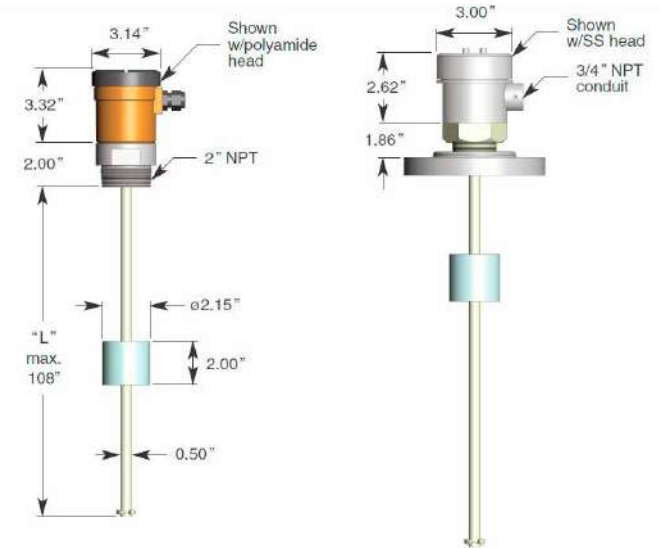
Description

The NML-310 synthetic float level transducers are suitable for level measurement in vessels up to 108" in height. The floats are made from PTFE, the tubes are PFA-clad 316 stainless steel, and the fittings are available in polyethylene, polypropylene, PVC or PTFE. The 2" NPT fitting accommodates the diameter of the float and enables easy installation from the top of the vessel, or mounting bracket, without removing the float. Variable resistance or analog level signals are available as outputs.

Specifications

- Minimum Length:** 12"
- Maximum Length:** 108"
- Resolution:** ± 0.4"
- Dead Band:** 1.5" bottom, 1.25" top
- Wetted Parts**
- Stem:** PFA (Standard) or PTFE-clad 316 SS
- Float:** PTFE
- Fitting:** 2" NPT, 2"...4" ANSI Flange
- Fitting/Flange Material:** PE, PP, PVC, or PTFE
- Minimum S.G.:** 0.8
- Operating Temp.**
- PVC/PE:** -4...140 °F
- PP:** -4...190 °F
- PTFE:** -4...250 °F
- Max. Pressure:** 40 PSIG @ 70 °F
- Terminal Box:** Polyamide or 316 SS
- Protection**
- Stainless Steel:** NEMA 4X, IP 66
- Polyamide:** NEMA 4, IP 65

Dimensions



Electrical Data

- Input Voltage:** 12-32 V_{DC} Max.
- Output:** 4-20 mA, 2-wire
0-5 V_{DC}, 3-wire
0-10 V_{DC}, 3-wire
0-5000Ω ± 10%
- Sensing Voltage:** 5 V_{DC} Max.
- Sensing Current:** 2.5 mA Max.

Order Details (Example: **NML-310 1 PE N9 A 1 L=48"**)

| Model | Housing | Fitting Material | Fitting Size | Output | Stem Cladding |
|--------------------------------------------------------------------------|-------------------|------------------------|-------------------------------------|------------------------------|-------------------------------|
| NML-310.. | ..1.. = Polyamide | ..PE.. = Polyethylene | ..N9.. = 2" NPT | ..A.. = 4-20 mA | ..1 = PFA (Std) ..2 = PTFE |
| | ..2.. = 316 SS | ..PP.. = Polypropylene | ..FL9.. = 2" 150 lb ANSI Flange | ..B.. = 0-5 V _{DC} | |
| | | ..PV.. = PVC | ..FLA.. = 2-1/2" 150 lb ANSI Flange | ..C.. = 0-10 V _{DC} | |
| | | ..PF.. = PTFE | ..FLB.. = 3" 150 lb ANSI Flange | ..W.. = Resistive, (0-5000Ω) | |
| Additional Information | | | | | |
| Please Specify Desired Probe Length when Ordering as L = XX", ie. L= 12" | | | | | |